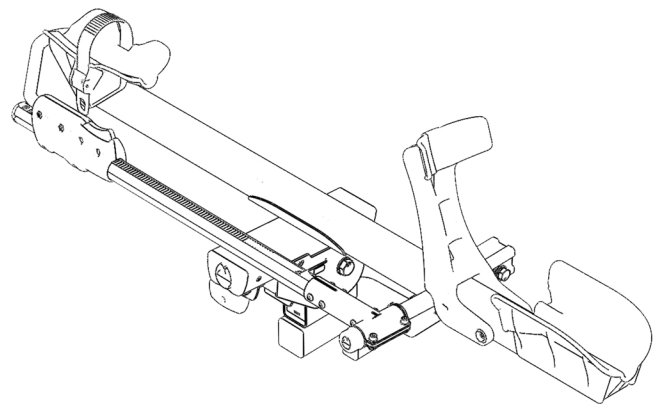




rockymounts™
MonoRail Solo

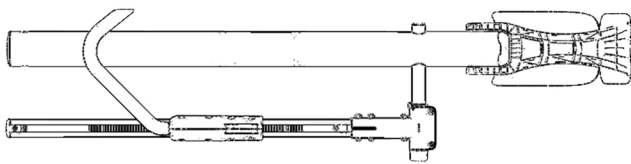


Guidelines

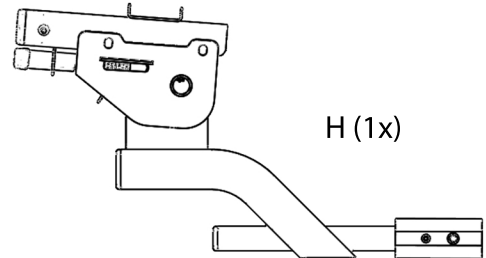
Max weight per bicycle: 60lbs (27kg) for 1 bike rack; 60lbs (27kg) with add-on.
 Wheel Size: compatible with 20-29" wheels.
 Tire size: fits up to 5.0" tires.
 Max wheel base: 48" (122cm).
 Remove front fenders, racks, and panniers before use.
 No kick bikes, recumbents, mopeds, scooters, pennyfarthings, or tandems.
 Compatible with MonoRail Single Bike Add-On.
 Compatible with 1.25" & 2" hitch receivers out of the box.

Parts Included

- | | | | |
|--------------------------|--------------------|---------------------|---------------------|
| A: Wheel Tray | F: Key | K: M8x16 BHCS Bolt | P: 19mm Wrench |
| B: Wheel Strap | G: Lock Cable | L: M12 Split Washer | Q: 5mm Allen Wrench |
| C: Wheel Strap Extension | H: Base | M: M12 Flat Washer | R: 4mm Allen Wrench |
| D: Rear Wheel Cup | I: Hitch Pin | N: M8 Flat Washer | |
| E: Lock Pod | J: M8x90 BHCS Bolt | O: M8 Split Washer | |



A (1x)



H (1x)



B (1x)



C (1x)



D (1x)



I (1x)



J (1x)



K (4x)



L (1x)



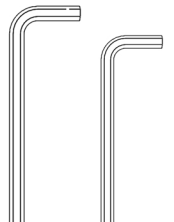
M (1x)



N (5x)



O (4x)



Q (1x) R (1x)



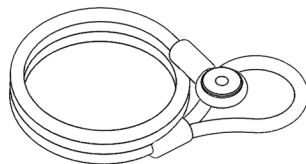
P (1x)



E (2x)



F (2x)

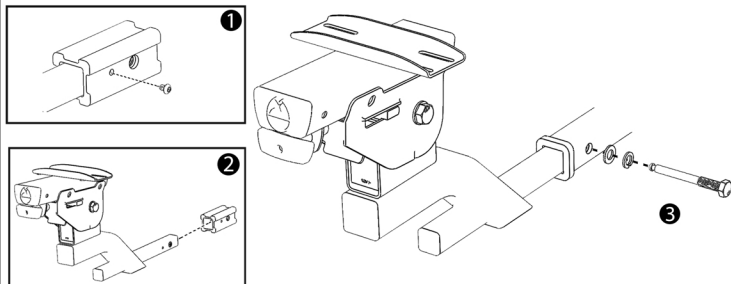


G (1x)

Assembly Instructions

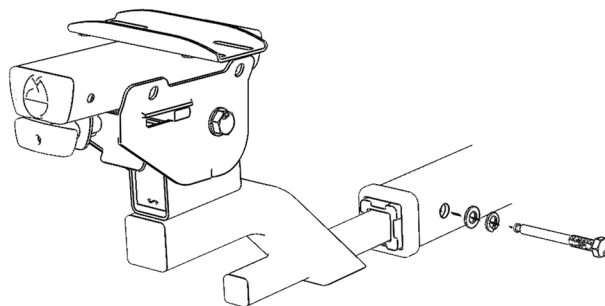
1 Install Base (1.25" Receiver)

For 1.25" hitch receivers, unscrew M6 bolt and remove adapter sleeve. Insert shank to receiver and align holes. Install hitch pin with M12 split washer and M12 flat washer using 19mm wrench



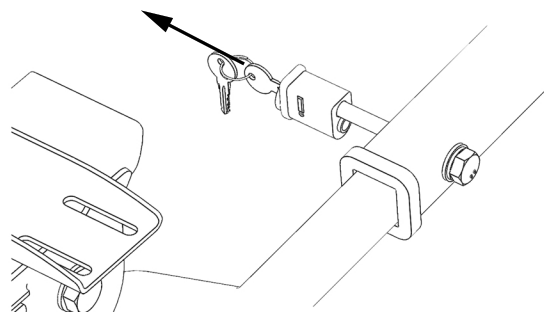
1 Install Base (2" Receiver)

For 2" hitch receivers, insert hitch into vehicle hitch receiver. Install hitch pin with M12 split washer and M12 flat washer using 19mm wrench



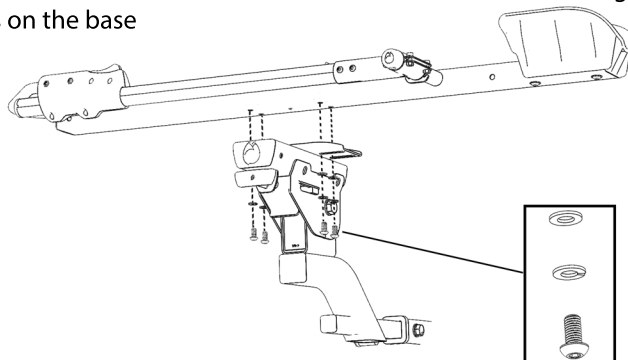
2 Install Lock Pod

Attach lock pod to end of hitch pin. Turn key to lock, then pull key out.



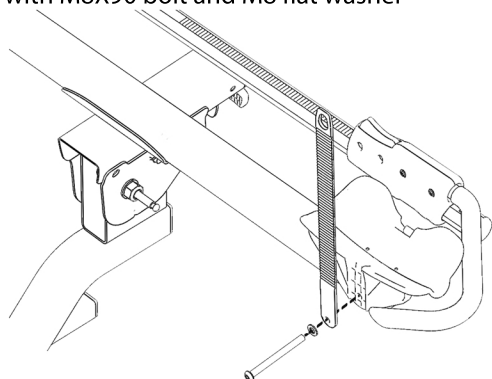
3 Install Wheel Tray

Place wheel tray on the spine with load arm facing out. Adjust position and install four M8x16 bolts with M8 washers through slots on the base



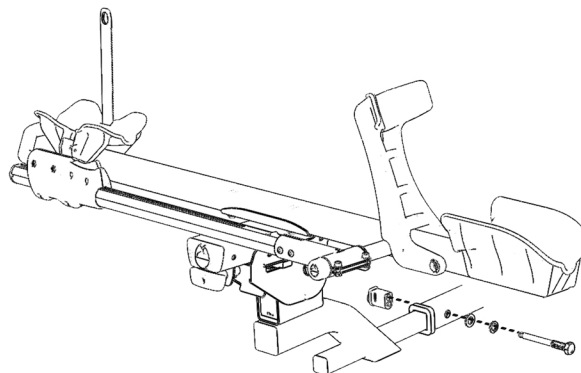
4 Install Wheel Cup

Install wheel cup (buckle faces out) and wheel strap onto end of wheel tray with M8X90 bolt and M8 flat washer

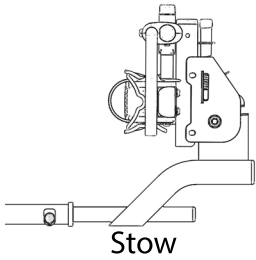


5 Remove Rack

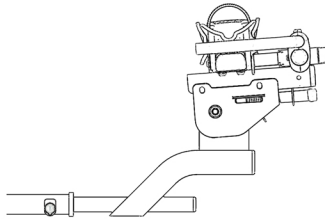
Remove lock pod then remove hitch pin



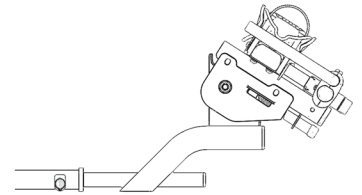
6 Rack Positions



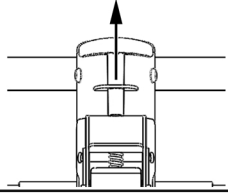
Stow



Use



Tilt

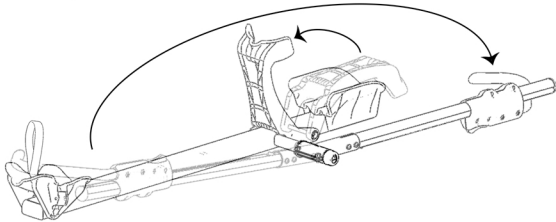


Release handle to raise and lower rack into stow, use and tilt positions. Rack can be folded into stow position when not in use and tilted down for rear vehicle access. Load arm should be stowed flat when rack is not in use. Release handle should be fully seated before each use.

Loading Bikes

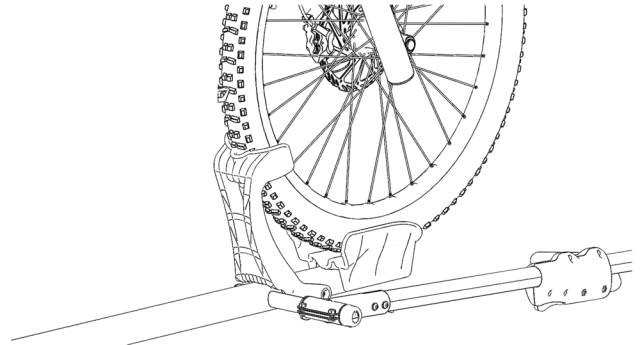
1 Open Load Arm

Rotate load arm 180 degrees from stowed position and fully extend hook. Fold backstop to fully open position. Tuck wheel strap



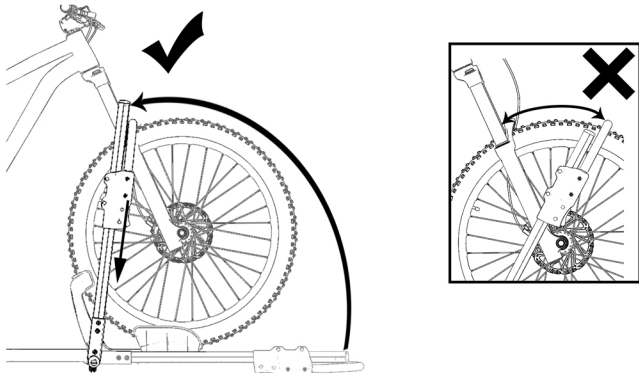
2 Place Bike on Rack

Load bike onto wheel tray. **FRONT WHEEL SHOULD BE SECURE AGAINST BACK STOP**



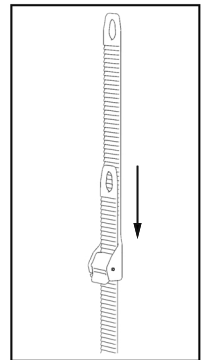
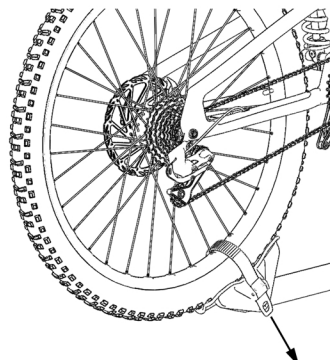
3 Secure Front Wheel

Rotate load arm over front wheel and tighten hook with **MINIMUM GAP** between fork



4 Secure Rear Wheel

Feed wheel strap through rear wheel and into buckle. Pull tight

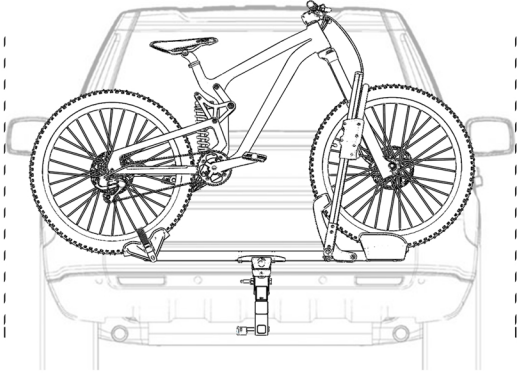


For fat bike, use wheel strap extension

Loading Bikes

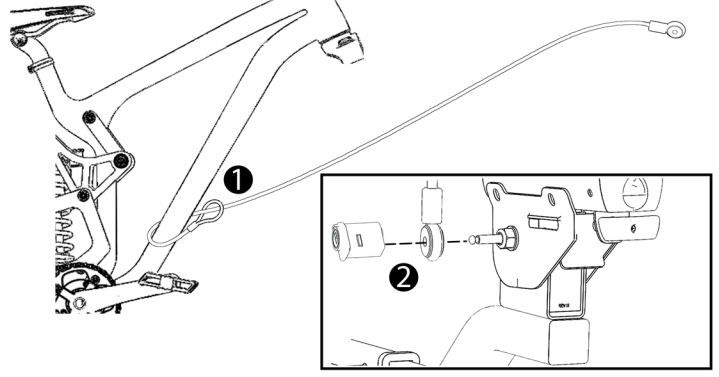
1 Check Mirrors

Be sure loaded bikes do not extend past width of side view mirrors



2 Lock Your Bike

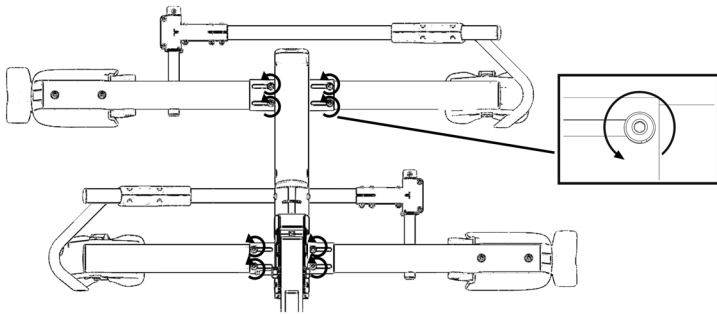
Loop cable around outer bike frame, feed through frame(s) and lock cable to lock boss



Rack Adjustability

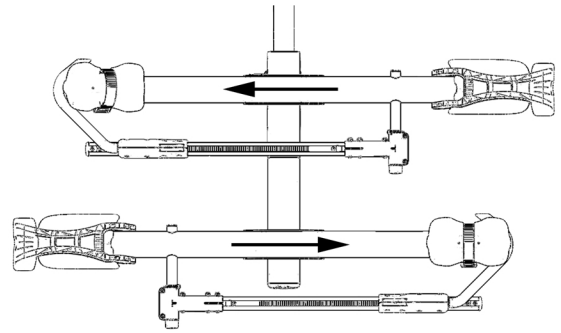
3 Loosen bolts

Trays can be adjusted side-to-side to avoid handlebar interference. Remove bikes and fold rack into use position. Loosen M8 bolts on the bottom of trays



4 Adjust Trays

Slide trays for amount of adjustment needed. Re-tighten M8 bolts



Warnings

- Remove Baby Seats, Panniers, U-Locks, or items that could detach from the bicycle.
- Do not use bicycle covers, bicycle bras, or bikes equipped with rear disc wheel.
- Not intended for off road use. Not intended for use on trailers or towed vehicles.
- Locks are only deterrents to thieves, RockyMounts™, Inc. cannot be held liable for stolen bicycles.
- Remove rack before entering a car wash.
- Check all fastenings (nuts, bolts and straps) before each use.
- Once a year, remove rack from car. Clean and inspect for damage.

Lifetime Warranty

Thank you for purchasing a RockyMounts™ product. We take pride in providing a great customer experience and manufacturing products that enable our customers to get their gear to their next colorful adventure.

As of January 1, 2014, RockyMounts™ products are covered for life to the original purchaser when used in accordance with the instruction manuals' assembly, installation and use guidelines.

If you feel something broke before it's time, please email us at ride@rockymounts.com or call us at 800.873.1871. For the most efficient service, email a digital photo (we need this photo to verify the problem) of the product in question, a brief description of the situation, and your purchase receipt. Our techs will respond within one business day. Most of the time we'll replace the part in question, but we may ask for more details.

RockyMounts™, Inc. warranty only covers RockyMounts™, Inc. products. It does not cover theft, or damage to vehicles and/or equipment. All products purchased prior to Jan 1, 2014 are covered by a one-year warranty; see your product manual for details.