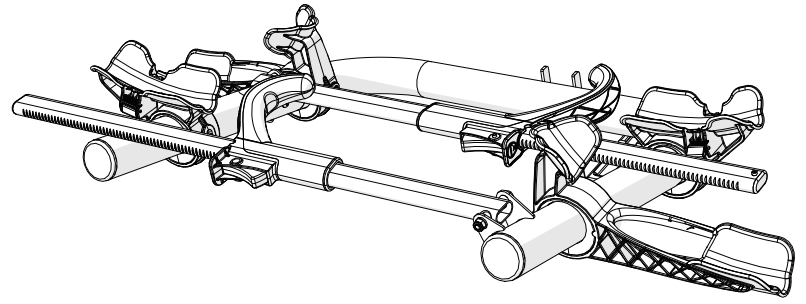




rockymounts
WestSlope



Guidelines

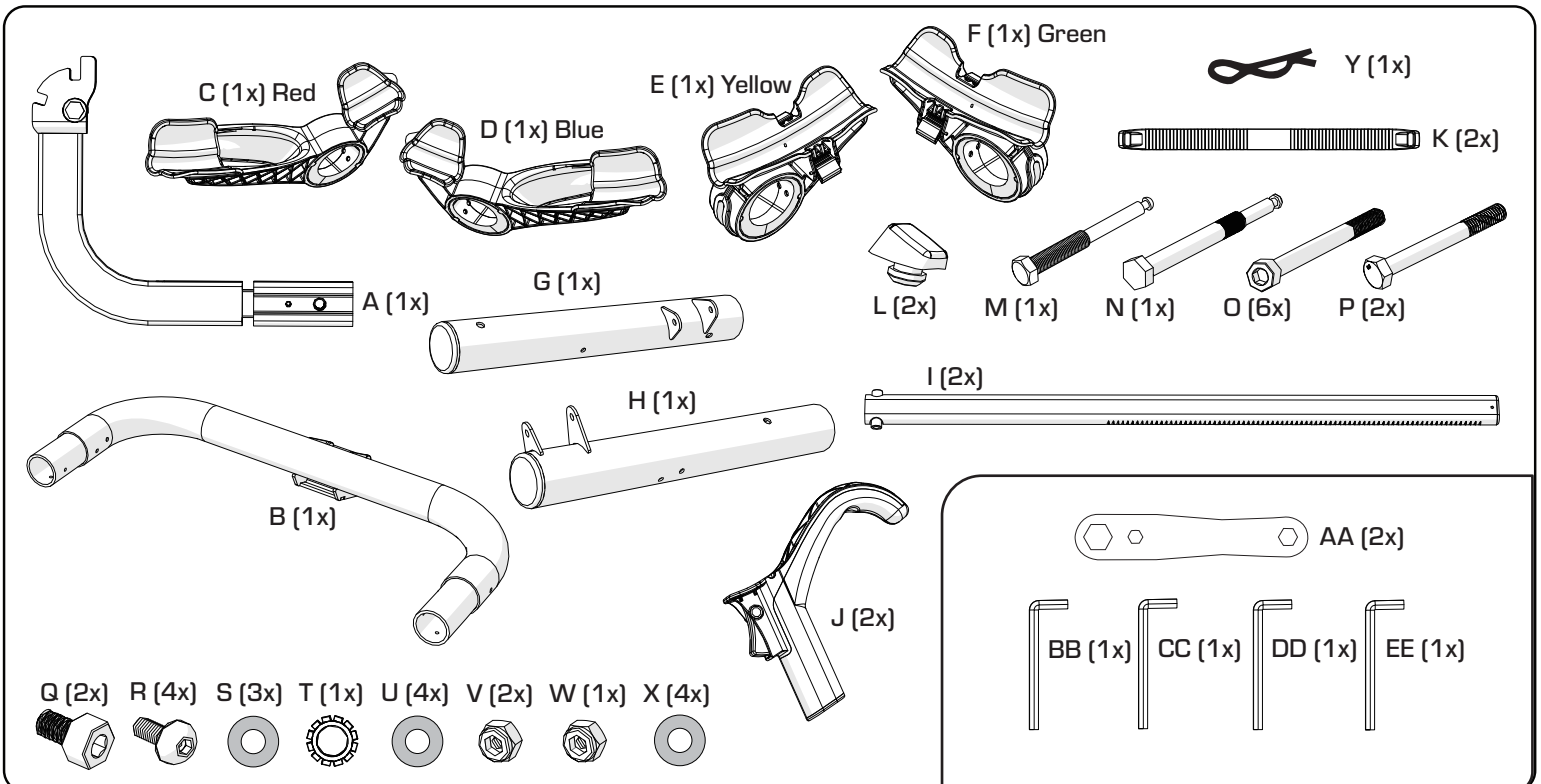
Max weight per bicycle: 40lbs (18kg) for 2 bike rack (80lbs (36kg) total).
 Wheel size: Comptatible with 20-29" wheels.
 Tire Size: Fits up to 3.0" tires.
 Compatible with bicycles' wheelbases from 34" to 48"
 Fits both 1.25" and 2" hitches with adaptor sleeve & anti wobble bolt
 Remove front fenders, racks, and panniers before use.
 No kick bikes, recumbents, mopeds, scooters, pennyfarthings, fat bikes, or tandems.

Parts Included

- | | | | |
|--------------------------|--------------------|---------------------|--------------------|
| A: Base | H: Right Frame Arm | O: M6x85 Allen Bolt | V: M8 Nut |
| B: Frame | I: Ratchet Arm | P: M8x70 Hex Bolt | W: 1/2" Nut |
| C: Inner Front Wheel Cup | J: Hook | Q: M4x6 Allen Bolt | X: 6mm Flat Washer |
| D: Outer Front Wheel Cup | K: Wheel Strap | R: M6x15 Torx Bolt | Y: Cotter Pin |
| E: Inner Rear Wheel Cup | L: Rubber Bumper | S: M12 Flat Washer | |
| F: Outer Rear Wheel Cup | M: Hitch Bolt | T: M12 Lock Washer | |
| G: Left Frame Arm | N: Pivot Bolt | U: M8 Flat Washer | |

Tools Included

- AA: Box Wrench BB: M3 Hex Wrench CC: M4 Hex Wrench DD: M5 Hex Wrench EE: Torx Wrench



Read all warnings on last page before use.

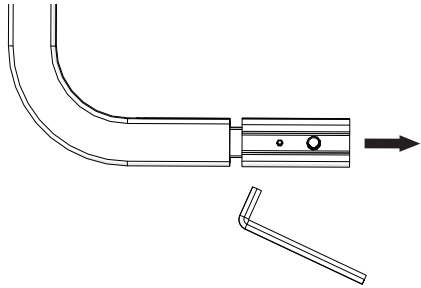


Assembly Instructions

1 Remove 2" Hitch Adapter (for 1.25" Hitch Receivers Only)

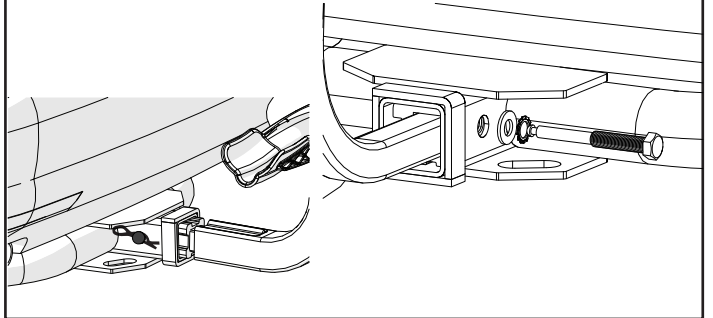
Remove M6 x 8 Allen bolt from 2" hitch adapter using M4 hex wrench (CC).

Remove 2" hitch adapter from base (A).



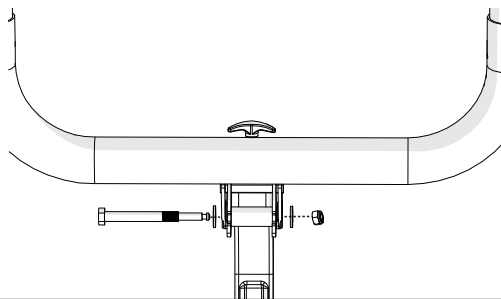
2 Install Hitch Bolt

Insert base (A) into vehicle hitch receiver. Install hitch bolt (M) with M12 flat washer (S) and M12 lock washer (T) using box wrench (AA). Install cotter pin (Y).



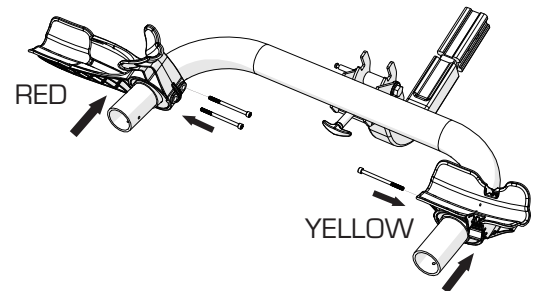
3 Install Pivot Bolt

Align frame (B) with base (A). Install pivot bolt (N) with two M12 flat washers (S) and 1/2" nut (W) using box wrench (AA).



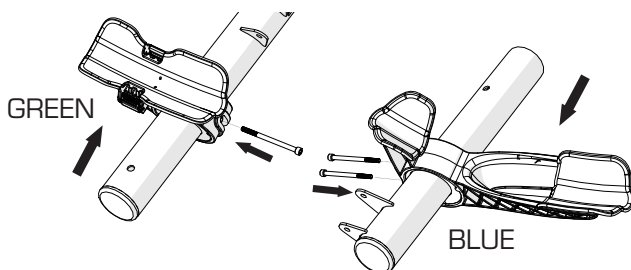
4 Install Inner Wheel Cups

Align inner front wheel cup (C) and inner rear wheel cup (E) with holes in frame (B). Install three M6x85 Allen bolts (O) using M5 hex wrench (DD).



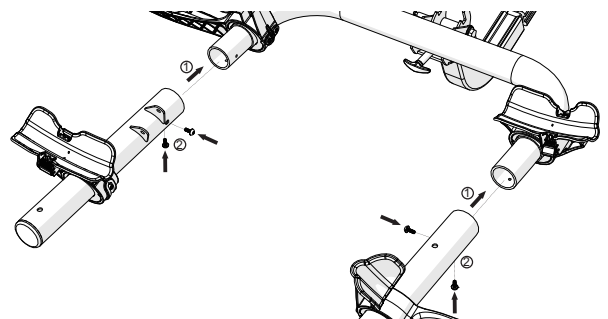
5 Install Outer Wheel Cups

Align outer front wheel cup (D) with holes in right frame arm (H). Align outer rear wheel cup (F) with holes in left frame arm (G). Install three M6x85 Allen bolts (O) using M5 hex wrench (DD).



6 Install Outer Frame Arms

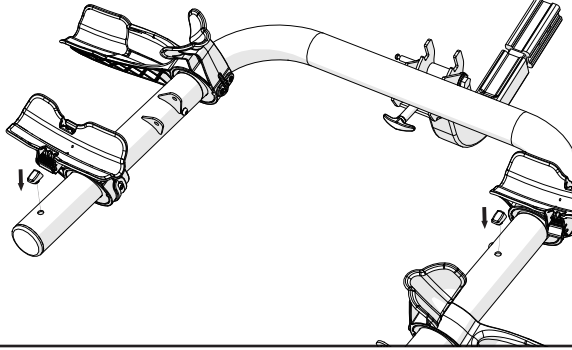
Align frame arms (G and H) with frame (B). Install four M6 x 15 Torx bolts (R) with 6mm washers (X) using Torx wrench (EE). **Note: Check bolts periodically.**



Assembly Instructions

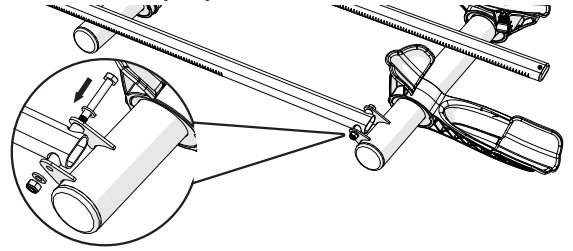
7 Install Rubber Bumpers

Press rubber bumpers (L) into holes into frame arms (G and H).



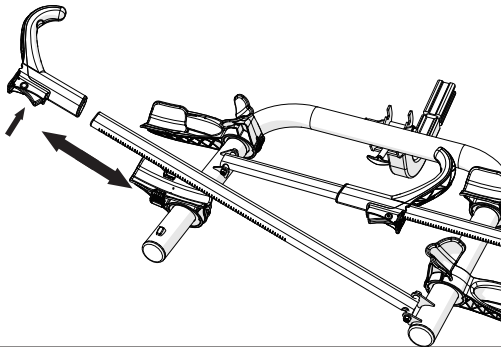
8 Install Ratchet Arms

Align ratchet arms (I) with tabs on frame arms (G) and H) with the serrated ratchet features toward the rear of the rack. Install each arm with an M8 x 70 hex bolt (P), two M8 flat washers (U), and an M8 nut (V), using two box wrenches (AA)



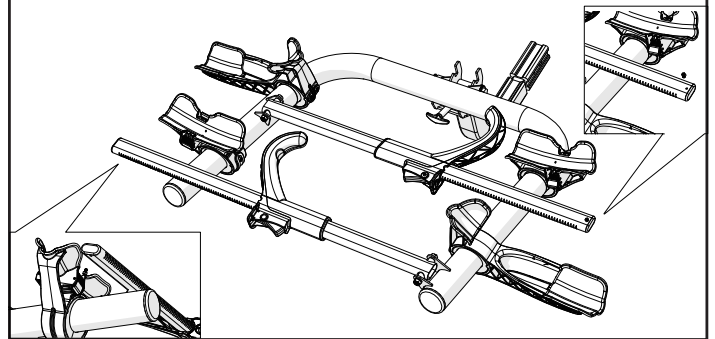
9 Install Wheel Hooks

Slide wheel hooks (J) onto ratchet arms (I) with hook toward the front of the rack.



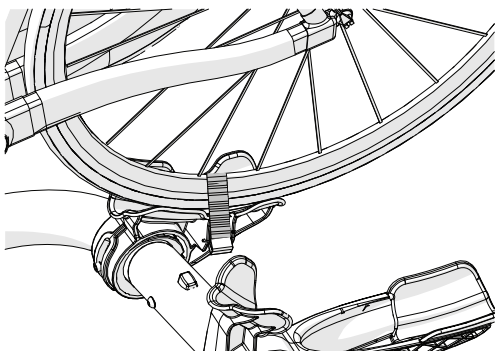
10 Install wheel hook limit Screw

Install M4x6 Allen bolts (Q) into ratchet arms (I) using M3 wrench (BB).



11 Install Rear Wheel Straps

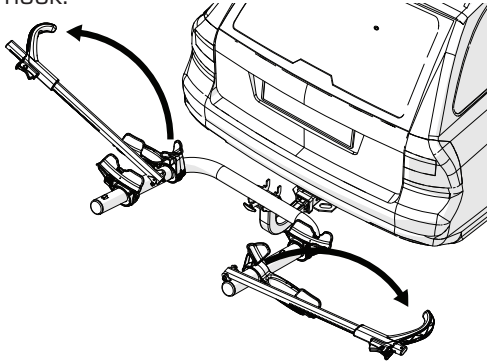
Install rear wheel straps (K) into inner and outer rear wheel cups (E and F).



Loading Bikes

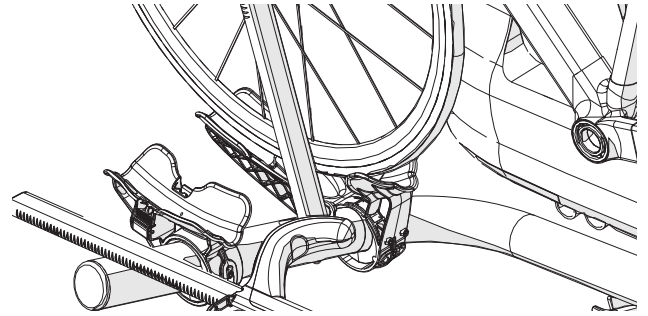
1 Open Load Arm

Rotate load arm 180 degrees from stowed position and fully extend hook.



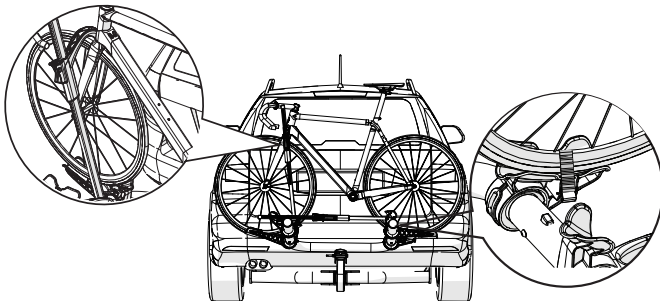
2 Place Bikes on Rack

Load the smaller and/or heavier bike in position nearest to the vehicle. Front wheel should be secure against back stop.



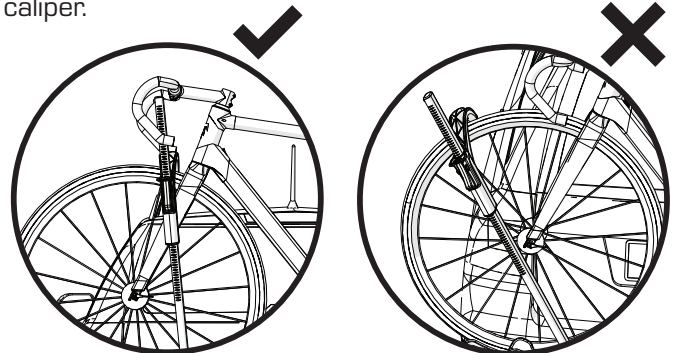
3 Secure Front and Rear Wheels

Rotate load arm over front wheel and tighten hook against fork. Feed wheel strap through rear wheel and into buckle. Pull tight.



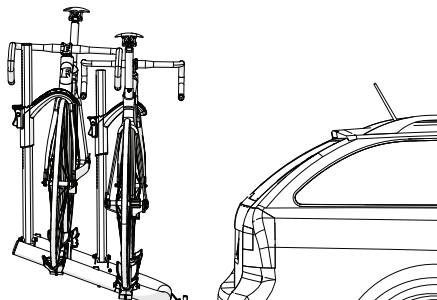
4 WARNING. Check Load Arm Position

Ensure that wheel hook is in contact with fork or brake caliper.



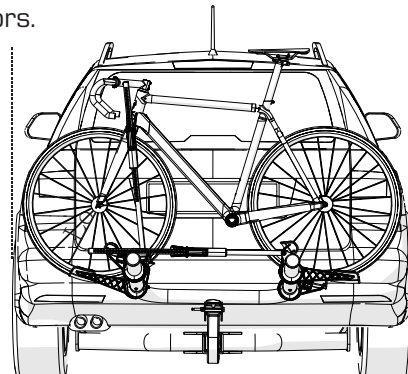
5 Adjust Bike Position

If contact between handlebars and saddle exists, swap bikes so smaller bike is closest to vehicle. This should eliminate any interference between bicycles.

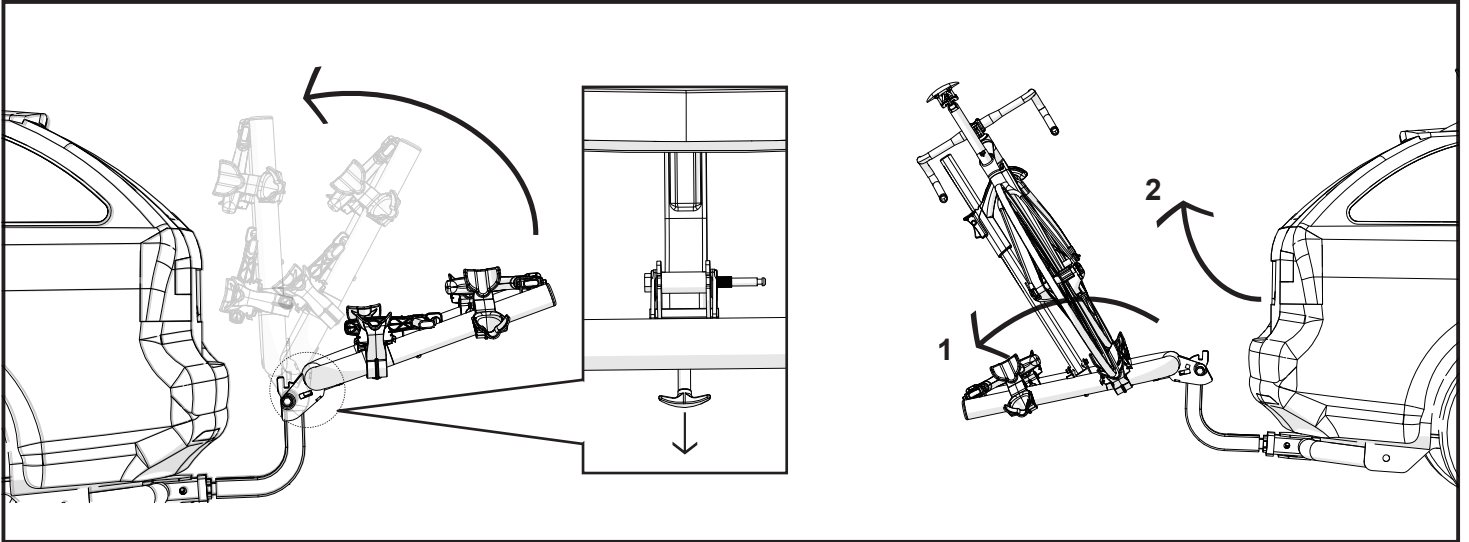


6 Check Mirrors

Be sure loaded bikes do not extend past width of side view mirrors.



Rack Positions



Gently release handle to raise and lower rack into stow, use, and tilt positions. Rack can be folded into stow position when now in use and tilted down for rear vehicle access. Load arms should be stowed flat when rack is not in use. Handle should be fully seated before each use.

Warnings

If a hitch extension is needed, only anti-wobble hitch extensions by RockyMounts can be used.

Remove Baby Seats, Panniers, U-Locks, or items that could detach from the bicycle.

Do not use bicycle covers, bicycle bras, tarps, or bikes equipped with disc wheel.

Not intended for trailers, towed vehicles, 3/4 ton or 1 ton pickups, or RV's.

Not intended for off road use. Do not take the vehicle off road.

Proceed slowly over speedbumps.

Bikes/rack can partially block license plate and/or taillights. Please check and adjust accordingly.

Check the car exhaust is not pointing at the rack, bike tires, or rims. Some vehicles may require an "elbow" to divert the hot exhaust away from the equipment.

Do not transport tires with flat or leaking front tires. Front tire must be inflated.

Hitch pin holes need to be at least 1.5" from end of hitch.

Locks are only deterrents to thieves, RockyMounts™ cannot be held liable for stolen bicycles.

Remove rack before entering a car wash.

Check all fastenings (nuts, bolts, straps, wheelcups, and load arms) before each use.

Lifetime Warranty

Thank you for purchasing a RockyMounts™ product. We take pride in providing a great customer experience and manufacturing products that enable our customers to get their gear to their next colorful adventure.

As of January 1, 2014, RockyMounts products are covered for life to the original purchaser when used in accordance with the instruction manuals' assembly, installation and use guidelines.

If you feel something broke before it's time; please email us at ride@rockymounts.com or call us at 800.873.1871.

For the most efficient service, email a digital photo (we need this photo to verify the problem) of the product in questions, a brief description of the situation, and your purchase receipt. Our techs will respond within one business day. Most of the time we'll replace the part in question, but we may ask for more details.

RockyMounts, Inc. warranty only covers RockyMounts, Inc. products. It does not cover theft, or damage to vehicles and/or equipment.

All products purchased prior to Jan 1st, 2014 are covered by a one-year warranty; see your product manual for details.